

FLOWLINE

EchoSonic II

Ultrasonic Level Transmitter

- Fast and accurate configuration using WebCal (PC user interface)
- Offered in 3 measurement ranges up to 10 meters
- Optimize sensor placement with unmatched beam width for applications with restricted space
- Industry leading miniature dead band maximizes the filling capacity of vessels
- Polycarbonate enclosure rated NEMA 4X with PVDF transducer



EchoSonic II.
Innovating ultrasonic
level measurement
featuring miniature dead
band and unmatched
beam width.

Description

The general purpose two-wire ultra sonic transmitter provides non-contact level measurement up to 10 meters and is well suited for challenging ultra-pure, corrosive, slurry or waste liquids. The transmitter is broadly selected for atmospheric bulk storage, day tank, waste sump, process vessel applications. Media examples include acetic acid and resin. Due to its miniature size, EchoSonic II is easily installed in restricted spaces as well as in open channel flow applications when associated with Platon MACE FloPro S3 Doppler flowmeter. With its straight and narrow beam EchoSonic II will simply replace in many applications hydrostatic submersible transmitters.

Fob USB®

The Fob USB interface tool (LI99-1001) and WebCal are necessary to change EchoSonics from the factory configuration. One Fob will configure all EchoSonics.

Features

- WebCal, an innovative PC user interface that provides fast and accurate configuration.
- Offered in 3 measurement ranges up to 10 meters
- Optimize sensor placement with unmatched beam width for applications with restricted space.
- Industry leading miniature dead band maximizes the filling capacity of vessels.
- Perfect match with Platon MACE FloPro S3 open channel Doppler flowmeter (ask for the specific brochure)

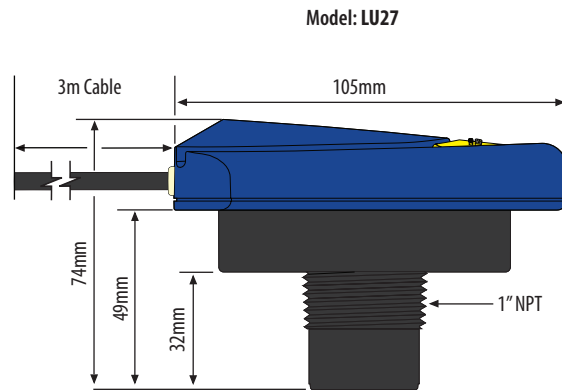
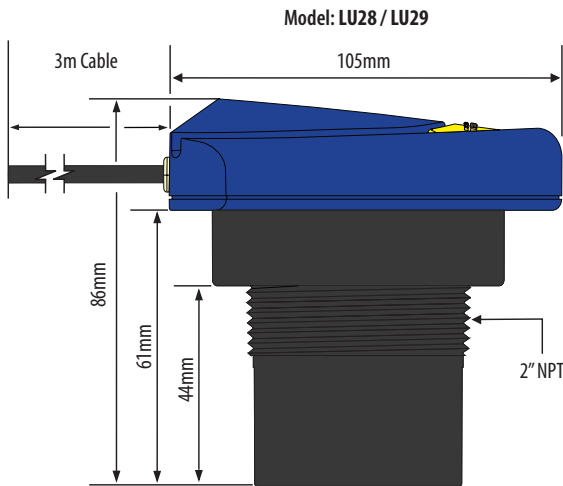
Ordering Notes

1. For installation on open tanks, order the LM50-1001-1 (1" NPT) or LM50-1061-1 (1" G) side mount bracket; or order the LM50-1001 (2" NPT) or LM50-1061 (2" G) side mount bracket.
2. WebCal (Windows® XP Compatible) is a free download from the Flowline website at www.flowline.com/webcal

EchoSonic II Specifications

Model/Part#	LU27	LU28	LU29
Range:	2.5 m	7.5 m	10 m
Accuracy:	± 0.2% Range	± 0.2% Range	± 0.2% Range
Resolution:	0.5mm	2 mm	2 mm
Beam width (diameter):	5 cm	7.6 cm	7.6 cm
Dead band:	10 cm	20 cm	20 cm
Memory:	Non-volatile		
Supply voltage:	24 VDC		
Consumption:	0.5W		
Loop resist.:	500 Ω Ohms @ 24 VDC		
Signal output:	4-20 mA, two-wire		
Signal invert:	4-20 mA or 20-4 mA		
Configuration:	WebCal® PC Windows®, USB 2.0		
Fail-safety:	4 mA, 20 mA, 21 mA, 22 mA or hold last		
Process temp.:	C: -20° to 60°		
Temp. comp.:	Automatic		
Ambient temp.:	C: -35° to 60°		
Pressure:	MWP = 30 PSI		
Enclosure:	Type 6P, encapsulated, corrosion resistant & submersible		
Encl. material:	Polycarbonate		
Trans. material:	PVDF		
Cable jacket mat.:	Polyurethane		
Cable type:	4-cond., shielded		
Cable length:	3 m		
Process mount:	1" NPT	2" NPT	2" NPT
Mount. gasket:	Viton®		
Classification:	General purpose		
Compliance:	RoHS		
Approvals:	cFmus, CE		

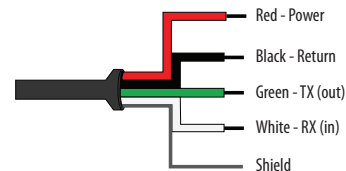
Dimensions



Fob USB Interface Tool (LI99-1001)



Wiring Diagram



Note: Specifications described in this brochure are susceptible to change without notice. All values are given in good faith, obtained under test conditions and can vary according to site installation and service conditions.

CT PLATON SAS

2 Rue du Plant Loger
BP 200-26
F95330 DOMONT
FRANCE

Tel: +33(0)139 354 400
Fax: +33(0)139 354 401
Email: sales@ctplaton.com
www.ctplaton.com



FLOWLINE