



CT PLATON sas

FTV SERIES - FLOWMETERS

Variable area flowmeter with borosilicate glass tube, for high and low ranges of liquids and gases.

APPLICATIONS

Chemical, petrochemical, paper, sacchariferous, food, pharmaceutical, medical, glass manufacture, textile, extractive, mining, iron and galvanic industries, water treatment plant, oenological, thermotechnical and ecological plants.

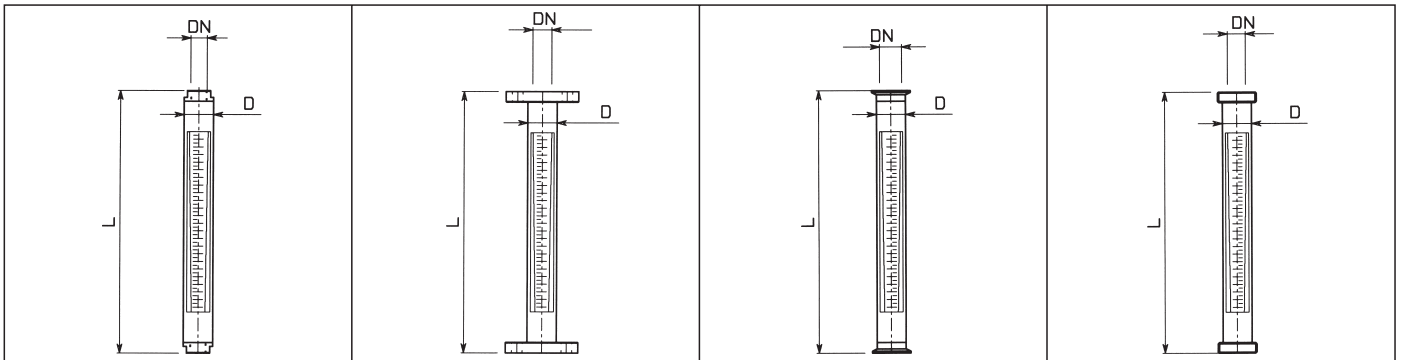
TECHNICAL FEATURES

- Accuracy: $\pm 2\%$ full scale value (3% with spherical float)
- Max temperature 120° C (higher temperatures on request)
- Length of reading scale:
 - 220 mm for mod. 210 - 215 - 225
 - 150 mm for mod. 240 - 250
- Measuring range 1÷10
- Free or guided float
- Vertical mounting with rising flow
- Strong structure in painted carbon steel
- Wetted parts in carbon steel - AISI 316 - PVDF (other material on request)
- Borosilicate glass measuring tube; length 300 mm
- Gaskets in Viton (other materials on request)
- Float stop in PTFE
- Connections: flanged ANSI 150 - 300 RF/UNI PN 10-16 2223/29
 threaded DIN 11851 (food)
 threaded GAS-F/NPT-F
 TRI-CLAMP



OPTIONS-ACCESSORIES

- Guided float
- Plexiglass protection
- Housing in AISI
- Special scale
- Float in special material
- Double window
- Min. and/or max alarm (inductive type)
- Special float for low pressure drops
- Self-regulating for flows in input or output for gas
 1/4" up to 3 Nmc/h
 1/2" up to 20 Nmc/h



CONNECTIONS

MODEL	D (mm)	THREADED		FLANGED			TRI-CLAMP		THREADED	
		DN	L (mm)	DN		L (mm)	DN	L (mm)	DN	L (mm)
				UNI	ANSI					
FTV 210	38	1/2"	344	15	1/2"	344	1"	344	20	344
FTV 215	38	1/2"	344	15	1/2"	344	1"	344	20	344
FTV 225	55	1"	348	25	1"	348	1"	348	25	376
FTV 240	70	1 1/2"	370	40	1 1/2"	370	1 1/2"	370	40	386
FTV 250	90	2"	380	50	2"	380	2"	380	50	386

SCHEDULE FOR FLOWS WITH SPHERICAL FLOAT

MOD.	max Press. (bar)	FLOAT. MAT.	H ₂ O F.S. (l/h)	FLOAT. MAT.	AIR F.S. (NI/min.)	PD (mbar)
FTV 210	10	VN	1	VN	0,8	5
	10	VN	3	VN	1,3	5
	10	MD	4	MD	2,2	5
	10	VN	4	VN	2,5	5
	10	MD	6	VN	3	5
	10	VN	10	MD	3,5	5
	10	MD	12	MD	6	5
	10	VN	12,6	VN	7	5
	10	MD	16	MD	10	5
	10	MD	30	VN	10	5
	10	VN	32	MD	16	5
	10	MD	40	MD	22	5

The alarm contact are applicable only on the flowmeters with float in "MD"
 Flowrange H₂O at 20° C; Flowrange of AIR at 20° C - 1 bar
 VN = Black Glass; MD = Hard Metal

SCHEDULE FOR FLOW WITH CONICAL FLOAT

MOD.	Max Press (bar)	H ₂ O Float SS316 F.S. (l/h)	PD (mbar)	H ₂ O Float PVDF F.S. (l/h)	PD (mbar)	AIR Float SS316 F.S. (Nm ³ /h)	PD (mbar)	AIR Float AL. ⁽¹⁾ F.S. (Nm ³ /h)	PD (mbar)	AIR Float DISC ⁽²⁾ F.S. (Nm ³ /h)	PD (mbar)
FTV 215	12	40*	10	-	-	-	-	-	-	-	-
FTV 215	12	63*	11	-	-	-	-	1	5	-	-
FTV 215	12	100	12	63	6	3	12	1,6	6	1,2	2
FTV 215	12	160	18	100	9	5	18	2,5	7	1,6	3
FTV 215	12	250	20	160	10	8	20	4	8	2,5	3
FTV 215	12	400	26	250	13	12	26	6,3	9	4	3
FTV 215	12	630	30	400	15	20	30	10	11	6	3
FTV 225	12	630	28	400	14	20	28	10	10	6,3	4
FTV 225	12	1.000	40	630	20	30	40	16	12	10	4
FTV 225	12	1.600	50	1000	25	50	50	25	18	15	4
FTV 240	9	1.600	34	1000	17	50	34	25	14	16	6
FTV 240	9	2.500	40	1600	20	80	40	40	16	25	6
FTV 240	9	4.000	50	2500	25	120	50	63	18	40	6
FTV 250	9	4.000	48	2500	24	120	48	63	16	40	7
FTV 250	9	6.300	65	4000	33	200	65	100	20	63	7
FTV 250	9	10.000	85	6300	43	-	-	-	-	80	7

* Float in Titanium - (1) AL.= Float in Aluminium - (2) DISC= Float in AISI 316 type Disc
 Flowrange H₂O at 20°C; Flowrange AIR at 20°C - 1 Bar ass.

In case of fluids different from water or air please specify the type of fluid precising: specific gravity, viscosity, temperat ure, pressure, at the operating conditions.

COME ORDINARE: Es.: FTV215 - A - A - MD - V - XX

FTV 215	model	A	ANSI connections	A	wetted parts in Carbon Steel	MD	float in Hard Metal	V	gaskets in Viton
		U	UNI connections	J	wetted parts in AISI 316	VN	float in Black Glass	XX	speciality to be described separately
		D	DIN connection (food)	PF	wetted parts in PVDF	J	float in AISI 316		
		T	TRI - CLAMP connections			AL	float in Aluminium		
		G	GAS-F threaded connections			Ti	float in Titanium		
		N	NPT-F threaded connections			Hc	float in Hastelloy c		
						PF	float in PVDF		

CT PLATON sas

ZI, 2 Rue du Plant Loger BP26, 95330 Domont France -Tel. 0033(0)139354400-Fax 0033(0)139354401
 www.ctplaton.com e-mail: sales@ctplaton.com

Information subject to change without prior warning