

## FTV SERIES - FLOWMETERS

Variable area flowmeter with borosilicate glass tube, for high and low ranges of liquids and gases.

### APPLICATIONS

Chemical, petrochemical, paper, sacchariferous, food, pharmaceutical, medical, glass manufacture, textile, extractive, mining, iron and galvanic industries, water treatment plant, oenological, thermotechnical and ecological plants.

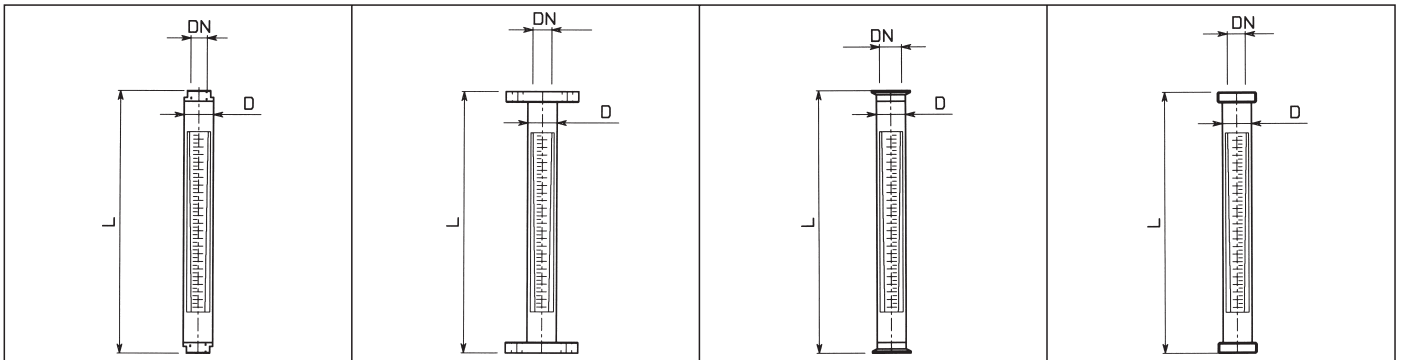
### TECHNICAL FEATURES

- Accuracy:  $\pm 2\%$  full scale value (3% with spherical float)
- Max temperature 120° C (higher temperatures on request)
- Length of reading scale:
  - 220 mm for mod. 210 - 215 - 225
  - 150 mm for mod. 240 - 250
- Measuring range 1÷10
- Free or guided float
- Vertical mounting with rising flow
- Strong structure in painted carbon steel
- Wetted parts in carbon steel - AISI 316 - PVDF (other material on request)
- Borosilicate glass measuring tube; length 300 mm
- Gaskets in Viton (other materials on request)
- Float stop in PTFE
- Connections: flanged ANSI 150 - 300 RF/UNI PN 10-16 2223/29  
threaded DIN 11851 (food)  
threaded GAS-F/NPT-F  
TRI-CLAMP



### OPTIONS-ACCESSORIES

- Guided float
- Plexiglass protection
- Housing in AISI
- Special scale
- Float in special material
- Double window
- Min. and/or max alarm (inductive type)
- Special float for low pressure drops
- Self-regulating for flows in input or output for gas  
1/4" up to 3 Nmc/h  
1/2" up to 20 Nmc/h



### CONNECTIONS

MODEL	D (mm)	THREADED		FLANGED			TRI-CLAMP		THREADED	
		DN	L (mm)	DN		L (mm)	DN	L (mm)	DN	L (mm)
				UNI	ANSI					
FTV 210	38	1/2"	344	15	1/2"	344	1"	344	20	344
FTV 215	38	1/2"	344	15	1/2"	344	1"	344	20	344
FTV 225	55	1"	348	25	1"	348	1"	348	25	376
FTV 240	70	1 1/2"	370	40	1 1/2"	370	1 1/2"	370	40	386
FTV 250	90	2"	380	50	2"	380	2"	380	50	386

**SCHEDULE FOR FLOWS WITH SPHERICAL FLOAT**

MOD.	max Press. (bar)	FLOAT. MAT.	H <sub>2</sub> O F.S. (l/h)	FLOAT. MAT.	AIR F.S. (NI/min.)	PD (mbar)
FTV 210	10	VN	1	VN	0,8	5
	10	VN	3	VN	1,3	5
	10	MD	4	MD	2,2	5
	10	VN	4	VN	2,5	5
	10	MD	6	VN	3	5
	10	VN	10	MD	3,5	5
	10	MD	12	MD	6	5
	10	VN	12,6	VN	7	5
	10	MD	16	MD	10	5
	10	MD	30	VN	10	5
	10	VN	32	MD	16	5
	10	MD	40	MD	22	5

The alarm contact are applicable only on the flowmeters with float in "MD"  
 Flowrange H<sub>2</sub>O at 20° C; Flowrange of AIR at 20° C - 1 bar  
 VN = Black Glass; MD = Hard Metal

**SCHEDULE FOR FLOW WITH CONICAL FLOAT**

MOD.	Max Press (bar)	H <sub>2</sub> O Float SS316 F.S. (l/h)	PD (mbar)	H <sub>2</sub> O Float PVDF F.S. (l/h)	PD (mbar)	AIR Float SS316 F.S. (Nm <sup>3</sup> /h)	PD (mbar)	AIR Float AL. <sup>(1)</sup> F.S. (Nm <sup>3</sup> /h)	PD (mbar)	AIR Float DISC <sup>(2)</sup> F.S. (Nm <sup>3</sup> /h)	PD (mbar)
FTV 215	12	40*	10	-	-	-	-	-	-	-	-
FTV 215	12	63*	11	-	-	-	-	1	5	-	-
FTV 215	12	100	12	63	6	3	12	1,6	6	1,2	2
FTV 215	12	160	18	100	9	5	18	2,5	7	1,6	3
FTV 215	12	250	20	160	10	8	20	4	8	2,5	3
FTV 215	12	400	26	250	13	12	26	6,3	9	4	3
FTV 215	12	630	30	400	15	20	30	10	11	6	3
FTV 225	12	630	28	400	14	20	28	10	10	6,3	4
FTV 225	12	1.000	40	630	20	30	40	16	12	10	4
FTV 225	12	1.600	50	1000	25	50	50	25	18	15	4
FTV 240	9	1.600	34	1000	17	50	34	25	14	16	6
FTV 240	9	2.500	40	1600	20	80	40	40	16	25	6
FTV 240	9	4.000	50	2500	25	120	50	63	18	40	6
FTV 250	9	4.000	48	2500	24	120	48	63	16	40	7
FTV 250	9	6.300	65	4000	33	200	65	100	20	63	7
FTV 250	9	10.000	85	6300	43	-	-	-	-	80	7

\* Float in Titanium - (1) AL.= Float in Aluminium - (2) DISC= Float in AISI 316 type Disc  
 Flowrange H<sub>2</sub>O at 20°C; Flowrange AIR at 20°C - 1 Bar ass.

**In case of fluids different from water or air please specify the type of fluid precising: specific gravity, viscosity, temperat ure, pressure, at the operating conditions.**

**COME ORDINARE:** Es.: FTV215 - A - A - MD - V - XX

FTV 215 model	A ANSI connections	A wetted parts in Carbon Steel	MD float in Hard Metal	V gaskets in Viton
	U UNI connections	J wetted parts in AISI 316	VN float in Black Glass	XX speciality to be described separately
	D DIN connection (food)	PF wetted parts in PVDF	J float in AISI 316	
	T TRI - CLAMP connections		AL float in Aluminium	
	G GAS-F threaded connections		Ti float in Titanium	
	N NPT-F threaded connections		Hc float in Hastelloy c	
			PF float in PVDF	

CT PLATON SAS  
 Immeuble Le Saint Clair, BP 70-213  
 42013 Saint Etienne Cédex 2, France

Tel - 33(0)477 410 688  
 Fax - 33(0)477 570 421  
 sales@ctplaton.com  
 www.ctplaton.com