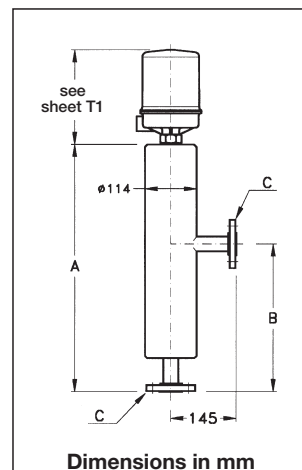
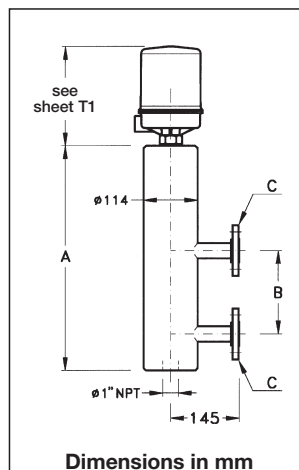
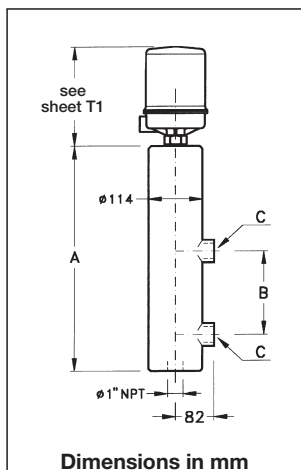
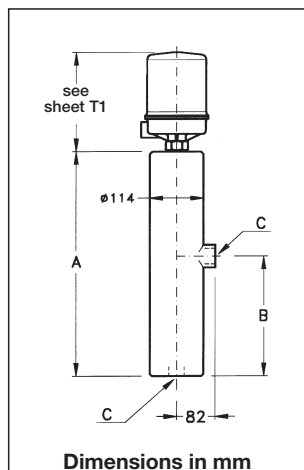
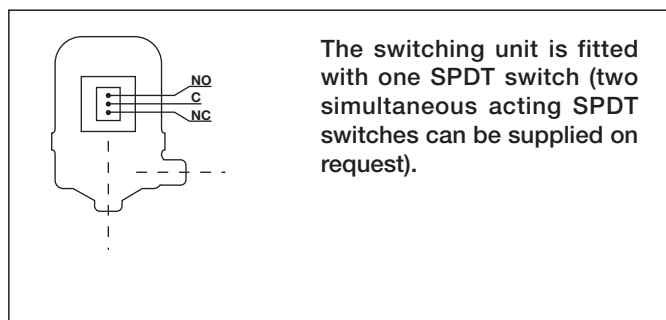


CT PLATON SAS

4060 SERIES LEVEL SWITCHES

Buoyancy level switch for external mounting on tank, with a single switching unit. For pressure up to 50 Bar and temperatures up to 135°C max. Specific gravity of 0.4 kg/dm³ min. Non-inspectable body. Minimum differential of switch, with SP.GR. 0.4 kg/dm³, 70 mm. Set point accuracy: ± 7 mm.



NOTE:
The set points are supplied on request, since these change according to the specific gravity and working conditions.

CONNECTIONS	THREADED			FLANGED		
	B CONNECTIONS DISTANCE mm	A mm	WEIGHT ~ kg	B CONNECTIONS DISTANCE mm	A mm	WEIGHT ~ kg
SIDE/BOTTOM	270	500	20	330	555	25
SIDE/SIDE	178	480	20	178	480	25
SIDE/SIDE	292	595	22	292	595	27
SIDE/SIDE	330	635	23	330	635	28
SIDE/SIDE	356	660	25	356	660	30

Standard "C" connections: Threading 1" NPT-F; Flange UNI PNDN 25/1" ANSI.....RF; 1" S.W.
On request, non-standard threads and flanges can be supplied.

On request, special versions can be supplied for working at temperatures below -10°C and over 135°C.

WORKING CONDITIONS

MODEL		4062			4064			4066			
STD "C" FLANGE		1" ANSI 150 RF UNI DN 25 PN 16			1" ANSI 300 RF UNI DN 25 PN 40			1" ANSI 600 RF UNI DN 25 PN 64			
VERSIONE		A	I	J	A	I	J	A	I	J	
Temperatures	38° C	20	19	19	40	40	40	52	50	50	Max pressure in bar
	100° C	17	15	16	35	30	31	46	40	42	
	135° C	16	14	15	35	28	29	46	37	39	
BODY RATING		ANSI 150			PN 40			ANSI 300			

MATERIALS

CODE FOR:	Materials	Carbon steel	AISI 304	AISI 316
	Body	A	I	J
	Displacer	-	-	2

SWITCHES

Type	Mercury switch	Dry microswitch					Pneumatic switch *	
Load rating	220 V a. c. 10 A 110 V d. c. 1,5 A	250 V a. c. 10 A 125 V d. c. 0,5 A	125 V d. c. 10 A	250 V a. c. 10 A 125 V d. c. 0,5 A waterproof IP67	125 V a. c. 1 A 28 V d. c. 1 A waterproof with gold contacts	250 V a. c. 1 A 24 V d. c. 5 A sealed with inert gas	output: 0 ÷ 40 psi max.	
CODE	VD	M2	M3	M4	M6	M14	PN brass	PN1 inox

* Air inlet and output connection 1/4" NPT-F - No bleed type

ENCLOSURES

Type	Waterproof	Explosion-proof	The (WP) enclosures can be supplied with gland or with a 3 or 7 pole connector as per MIL standards. The (EP) enclosures can be supplied with explosion-proof gland. 1) CESI certificate N. 02-ATEX-126
Material	Aluminium	Aluminium	
Electrical connection	1/2" NPT-F 3/4" NPT-F ISO M20x1.5	1/2" GAS/UNI 6125/NPT-F 3/4" GAS/UNI 6125/NPT-F ISO M20x1.5	
Protection degree	IP 66	1) II 2G EEx-d II C T6 IP66	
CODE	WP	EP	

HOW TO ORDER:

Example: 4062 - A - 2 - M2 - WP

4062 model
A body in carbon steel
2 displacer in S/steel AISI 316
M2 dry micro. 250 V a. c. - 10 A
WP waterproof enclosure

The following data are required: type of fluid, specific gravity, operating temperature and pressure.

CT PLATON SAS
Immeuble Le Saint Clair, BP 70-213
42013 Saint Etienne Cédex 2
France
Tel - 33(0)477 410 688 Fax - 33(0)477 570 421
sales@ctplaton.com - www.ctplaton.com

