

Automatic Flow Controller

FLOSTAT TYPE FV

Platon Type FV Flostats automatically regulate the flow of liquids, gases or steam by using available line pressure. Once adjusted to the required value, flow is maintained accurately at this rate independent of supply pressure fluctuations or varying back pressure downstream of the meter. No electrical power or external flow measurement input is required – the Flostat control system uses the available line pressure to control the balanced control valve, maintaining the flow rate at the operator preset value.

Accurate flow control is vital to a wide variety of processes, for example blending and dosing applications. By keeping the required fluid delivery rate constant, a Flostat can ensure consistent product quality irrespective of process liquid head changes throughout a batch.

Flostat Type FV Flow controllers are particularly useful on operation. Units are used on aircraft fuel delivery systems, to prevent the hazard of excessive flows and protect metering systems from over-speeding. On natural gas or fuel oil delivery systems to multiple burners, Flostat units can maintain optimum flow rate to each burner independently.

Available in sizes from 15mm to 100mm, all Type FV units can be fitted with a flow scale plate calibrated for process conditions.

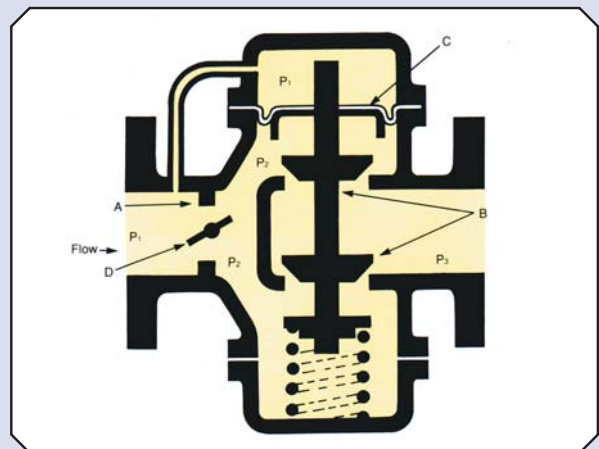


FEATURES

- Fully automatic flow control
- No power required
- 1/2" – 4" line sizes
- 10:1 control range
- Fast response
- Suitable for hazardous liquids or gases

The Flostat combines, in one body, a flow measuring orifice (A) and a balanced control valve (B). With no flow through the Flostat, the compressed spring opens the double seated valve. When flow commences, a pressure drop P_1-P_2 is generated across the orifice (A). This pressure drop also acts on the diaphragm C, closing the valve against the spring force. The downstream pressure P_3 has no net effect on the control valve position, because the valve is double seated. At equilibrium, the spring force, a constant, is equal to the orifice pressure drop, making the fluid flow constant.

The orifice flow at equilibrium is adjusted by the butterfly element, D, controlled by an external hand wheel. This allows flow adjustment over typically at 10:1 range. Once set to a flow rate, the Flostat maintains that flow independent of line pressure fluctuations, subject to certain minimum overall head loss requirements.



FLOW RANGES AND MODELS

Model (Type and Material)	Size		Range Code	Water Flow (20°C) m ³ /Hr	Air Flow (ATP) m ³ /Hr	Minimum Pressure Drop (P ¹ -P ³) Bar
	Ins	Mm				
Type A FVAB Brass FVAS Stainless Steel	0.5	15	1	0.02-0.27	0.08 – 8	0.5
			2	0.04-0.40	1.2 – 12	0.8
			3	0.08-0.80	2.4 – 24	1.0
Type B FVBB Brass FVBS Stainless Steel	0.75	20	1	0.05-0.54	1.6 – 16	0.5
			2	0.09-0.90	2.6 – 26	0.8
			3	0.16-1.60	4.6 - 46	1.0
Type A FVCA Cast Iron FVSA Stainless Steel	1	25	1	0.1-1	2.5-25	0.5
			2	0.2-2	6-60	0.8
			3	0.3-3	10-100	1.0
Type B FVCB Cast Iron FVSB Stainless Steel	1.5	40	1	0.2-2	6-60	0.5
			2	0.4-4	12-120	0.8
			3	0.8-8	25-250	1.0
	2	50	1	0.4-4	12-120	0.5
			2	0.8-8	25-250	0.8
			3	1.6-16	50-500	1.0
	3	80	1	0.8-8	25-250	0.5
			2	1.6-16	50-500	0.8
			3	3.2-32	100-1000	1.0
	4	100	1	2.0-20	60-600	0.5
			2	5.0-50	150-1500	0.8
			3	7.5-75	220-2200	1.0

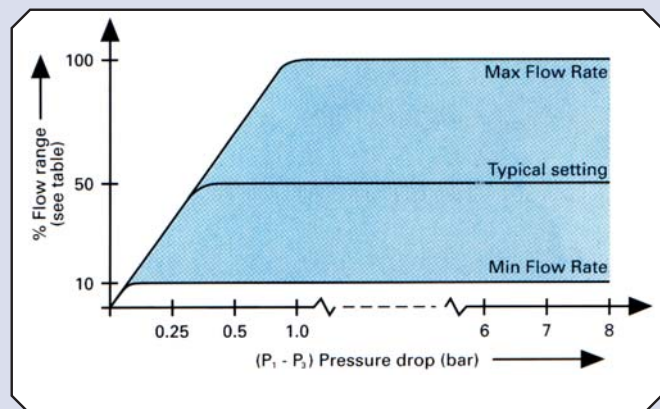
ALTERNATIVE FLUIDS

Consult Platon for information on the flow ranges applicable to other liquids, or gases at different process pressures, for each model. Flow scales can be calibrated for the process fluids in use. Units for larger and smaller flow rates are available.

SITE ADJUSTMENT

Operator adjustment of the flowrate through the Flostat FV is via the external hand wheel, which controls the orifice size. On larger units, 1" - 4" line sizes, the handwheel is fitted with a pointer to indicate flow setting on a precalibrated scale plate. The handle can be locked in position. On 1/2" and 1/4" units the standard unit has no scale plate: flow is adjusted according to other process requirements or flowmeters. A scale plate can be fitted as an option.

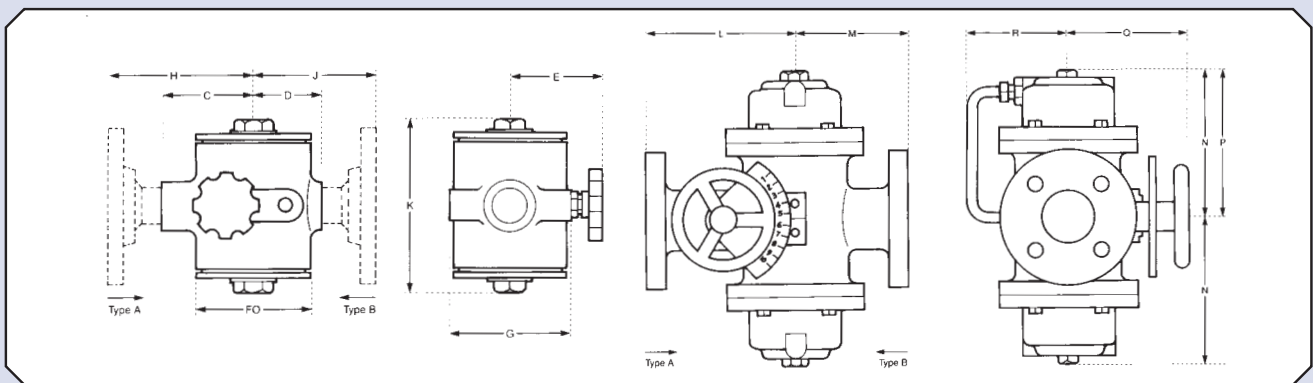
Flow adjustment can be made over typically a 10:1 flow range. The tabulation shows the pressure drop (P¹-P³) required for correct operation at maximum flow rate. This threshold value requirement decreases as the flow setting is reduced – the graph shows the relationship for a Range Code 3 model: normal operation is in the shaded area.



Dimensions Size mm	C	D	E	F	G	H	J	K	Weight kg	
1/2"	15	57	44	79	76	83	95	83	118	4.5
3/4"	20	64	51	95	100	102	108	95	150	8

Dimensions Size mm	L	M	N	P	Q	R	Weight kg
1"	25	127	102	117	168	117	98
1 1/2"	40	152	114	138	189	121	102
2"	50	181	130	170	265	136	121
3"	80	216	140	176	271	140	130
4"	100	241	140	197	292	146	136

Arrows show flow direction for Flostat Types A and B.
Dimension P refers to the Flostat with stainless steel bellows



INSTALLATION REQUIREMENTS

1. Flostats can be installed in any orientation.
2. A vent is fitted on the pressure housing on the top of the diaphragm to allow simple removal of trapped air on liquid Flostats on start up (when installed in horizontal pipework).
3. If possible, the Flostat should be installed with five diameters of straight pipework upstream, and three diameters downstream. (These dimensions are reversed for Type B models). This gives the flow measuring orifice the required working conditions.

APPLICATION EXPERTISE

Flostat equipment has been manufactured by Platon for over 30 years for many different applications. Apart from providing sizing information for different process conditions, alternative designs are available to suit specific requirements. Please provide full application information for any enquiry, particularly specifying:

Pipeline size
Fluid type, SG and viscosity if unusual
Required body and diaphragm materials

Flow range required
Fluid temperature pressure
Flange type required

For special options, please specify if scale plate or factory preset flowrate required. For gas flows, advise whether Type A or Type B suits the pressure conditions best.

For lower flow rates (down to 2cm³/min), please consult leaflet DS1511 describing the Flostat Type MN.

Every effort has been made during the preparation of this document to ensure the accuracy of statements and specifications. However, we do not accept liability for damage, injury, loss or expense caused by errors or omissions made. We reserve the right to withdraw or amend products or documentation without notice.



CT PLATON SAS
2, rue du Plant Loger
95330 Domont, France
Tel : +33 (0)139 354 400
Fax : +33 (0)139 354 401
Email : sales@ctplaton.com
Web : www.ctplaton.com



CERTIFICATE NO. 22358